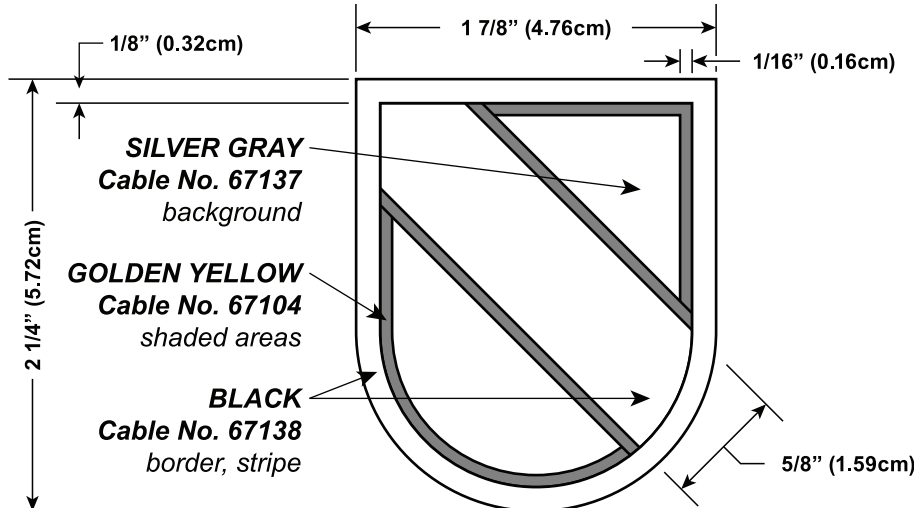


REVISIONS



DESIGNED FOR OVEREDGE STITCHING

EXAMINED	<i>TLC</i>	
CHECKED	<i>CA</i>	<i>SAC</i>
PREPARED	AWW	
APPROVED	MUGNO.CHARLE MUGNO.CHARLES.V.10207 23374 S.V.1020723374 2018.10.23 14:33:51 -04'00' <hr/> CHARLES V. MUGNO DIRECTOR	

THE INSTITUTE OF HERALDRY, DEPARTMENT OF THE ARMY
 9325 GUNSTON RD, RM S-113 FORT BELVOIR, VA 22060-5579

BERET FLASH FOR
U. S. ARMY
FUTURE'S COMMAND

SIZE	CONTROL IDENT. NO	A-4-322
A	22571	

MATERIALS: TO BE MANUFACTURED IN ACCORDANCE WITH MIL-DTL-14652 SCALE FULL DATE **23 OCTOBER 2018**